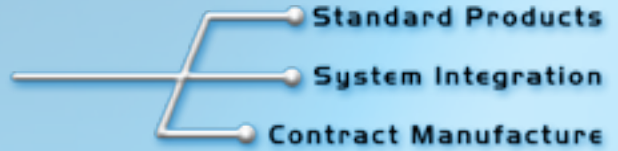


VEROTEC

Electronics Packaging



VEROTEC Cases

Verotec cases offer an excellent combination of technical competence and aesthetic design making them an ideal packaging solution for high-end electronic instruments. The superior design provides an upgrade path from a basic unit to a high-EMC, IP55 rated enclosure that meets the demands of many environmental requirements. The main assembly screws are hidden discretely beneath clip-in mouldings, meaning there are no visible fixings and your product can be both secure and visually clean.

Verotec cases are available in 1U, 2U & 3U heights in both 10.5" & 19" widths and in a choice of two colour schemes. The range offers horizontal & vertical configurations, a choice of ventilation modes, 19" & Eurocard mounting options and a number of accessories including doors, handles, front panels and chassis trays.

FEATURES

- 3 height & 2 width options
- Horizontal & Vertical units
- 2 Ventilation modes
- 2 Colour schemes
- Aesthetic design
- Excellent EMC performance
- IP55 environment protection
- Stackability
- 19" and Eurocard mounting
- Full range of accessories

EMC PROTECTION

A basic case is supplied as standard which can be fitted with front and rear panels to provide a low EMC packaging solution. To achieve a higher level of EMC screening an EMC conversion kit can be fitted. This is achieved using copper or tinned copper contact strips that are clipped into pre-selected positions according to the level of shielding required. An internal front and rear frame ensures contact to the top and bottom covers.

IP SEALING

Protection against solid objects and liquids to IP55 can be achieved by the inclusion of PVC / nitrile seals on the top and bottom covers and rubber gaskets at the corner joints.



SELECT A BASIC CASE pages 4-7



ADD INTERNAL FRAME REQUIRED page 8



SELECT FRONT AND REAR PANELS pages 9-10



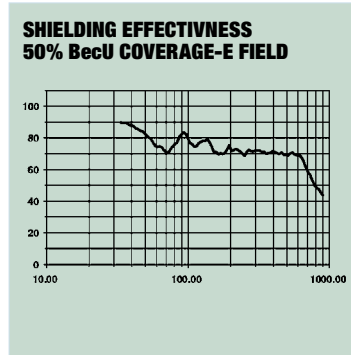
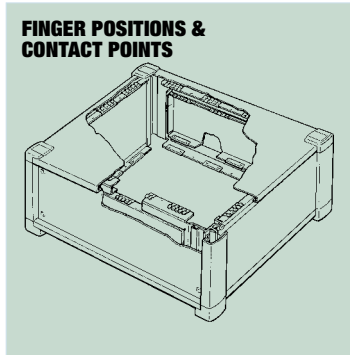
SELECT EMC & IP OPTIONS page 11



ADD THE DESIRED ACCESSORIES page 12-14

EMC PROTECTION

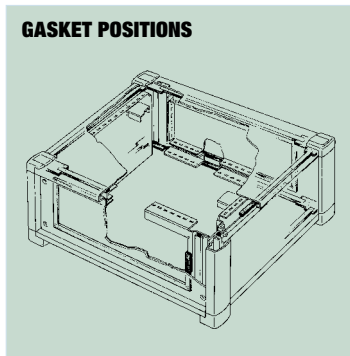
The VEROTEC cases have been designed to offer inherent EMC/RFI protection and, with the addition of tinned copper fingers, will provide high level attenuation figures across a broad frequency range. EMC front and rear panels are available as standard options from stock, a separate shortform catalogue entitled 'The Science of Compliance' gives a comprehensive designers guide to EMC issues.



Units offer 1U(44.45mm) of front panel space and are available in two depths and two heights offered in two standard colours.

IP PROTECTION

As the diversity of application environment increases, so does the requirement to protect electronic equipment from ingress of dust and moisture. IP55 gives a good level of protection within most industrial environments.



IP	INDEX OF PROTECTION
5	Machine protected against dust and accidental contact. Test result : no dust enters in harmful quantities, no risk of direct contact with rotating parts. The test lasts 2 hours (test result : no talc enters which could adversely affect the running of the motor).
5	Machine protected against jets of water from all directions from hoses at 3 m distance with a flow rate of 12.5l / min at 0.3 bar. The test lasts 3 minutes (test result : no damage from water projected onto the machine).

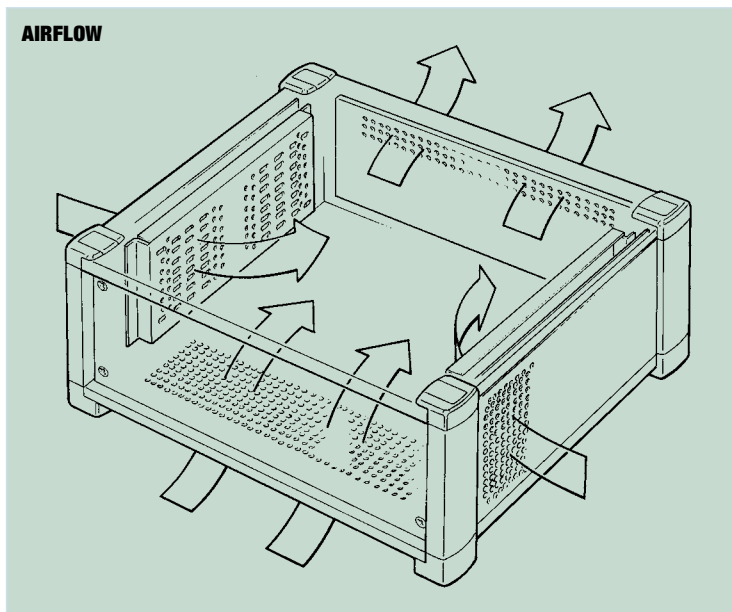


Units offer 2U(88.9mm) of front panel space and are available in two depths and two heights offered in two standard colours.

Once again the design of VEROTEC cases allows you to choose this option as an upgrade path.

THERMAL MANAGEMENT

Vented side panels, bottom covers and rear panels as standard options offer many opportunities for effective thermal management. All vent hole patterns have been designed to minimise the degradation in EMC/RFI shielding effectiveness and, the addition of fan forced air cooling solutions can also be achieved.



Units offer 3U(133.35mm) of front panel space and are available in two depths and two heights offered in two standard versions as standard.

COLOUR SCHEMES

Verotec cases are available in a choice of two colour schemes; RAL 7035 Light Grey and RAL 7016 Anthracite. This applies to both the metal painted covers and plastic corner mouldings.



Vertical Units offer 5.25" front panel mounting space and are available in two depths and two heights offered in two standard colours.



A comprehensive range of accessories for the VEROTEC range allows you to configure for your solution.

1U Units offer an excellent combination of technical competence and aesthetic design. Equipment can be housed in a standard 1U envelope and benefit from a stacking facility as standard. There are no visible fixings so your product can be secure and visually clean. The main assembly screws are hidden discretely beneath clip-in mouldings, which may be removed for internal access. Supplied assembled.

CONTENTS OF KIT

- 1 top cover
- 1 bottom cover
- 2 side panels (vented/non-vented)
- 4 corner extrusions (internal)
- 4 corner extrusions (external)
- 4 feet mouldings
- 2 tilt feet
- 4 cover mouldings
- 1 set of fixings

MATERIAL SPECIFICATION

- Cover and side panels : 0.9mm CR4 mild steel zinc and clear passivated
- Corner extrusions : Aluminium extrusion
- Plastic Mouldings : ABS UL94 - VO RAL 7035 light grey or RAL 7016 anthracite
- Fixings : M4 x 16 LG CSK (DIN 7500) M4 x 6 LG - Ch HD (DIN 84)
- Paint : RAL 7035 light grey epoxy powder coat covers and side panels or RAL 7016 anthracite epoxy powder coat covers and side panels

1U BASIC CASES

A basic case is supplied as standard. This can be fitted with standard front and rear panels to provide a basic low EMC packaging solution. When choosing an upgrade path, simply select the relevant accessories to achieve a higher level of EMC screening. IP sealing or both. To achieve levels of EMC or IP protection front and rear panels must be fitted to the basic case, see pages 9 & 10 for details. Units are supplied assembled.

EMC PROTECTION

To achieve higher level of EMC screening an EMC conversion kit should be ordered. see page 11 for details. This is achieved using copper or tinned copper contact strips. These can be clipped into preselected positions according to the level of shielding required. An interior front and rear frame ensures contact to the top and bottom cover

IP SEALING

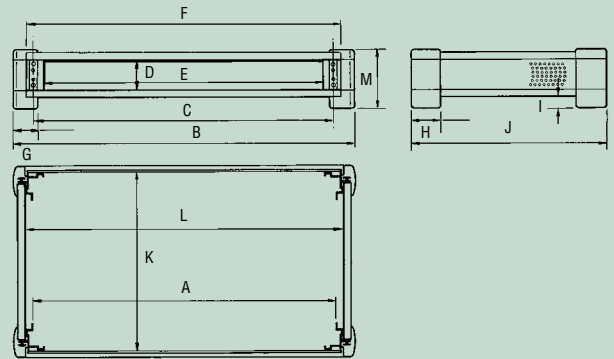
IP sealing is achieved by inclusion of PVC/nitrile seals (top and bottom covers) and rubber gaskets at the joints.

In order to achieve IP55 it is necessary to order IP/EMC front and rear panels as accessories and an IP55 sealing kit see Page 11. Non-vented cases should be ordered to achieve IP55 sealing.

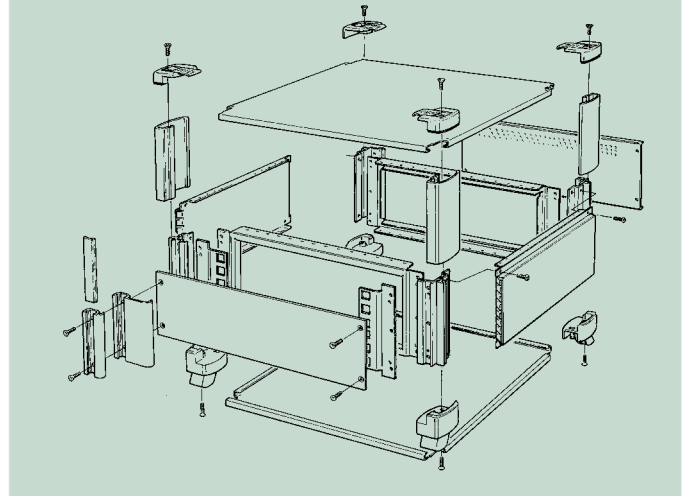


1U CASES

DIMENSIONS



GENERAL ASSEMBLY- HORIZONTAL



RAL 7035 LIGHT GREY

Size	Width	A	B	C	D	E	F	G	H	I	J	K	L	M	Order Codes	
															Vented	Non-vented
1U	10.5"	298.80	342.80	295.30	46.55	268.36	311.80	30	40	16	260	241.60	313.72	83.55	70-133201	70-133101
1U	19"	514.80	558.80	511.30	46.55	484.36	527.82	30	40	16	300	281.60	529.72	83.55	70-133202	70-133102

RAL 7016 ANTHRACITE

Size	Width	A	B	C	D	E	F	G	H	I	J	K	L	M	Order Codes	
															Vented	Non-vented
1U	10.5"	298.80	342.80	295.30	46.55	268.36	311.80	30	40	16	260	241.60	313.72	83.55	70-133401	70-133301
1U	19"	514.80	558.80	511.30	46.55	484.36	527.82	30	40	16	300	281.60	529.72	83.55	70-133402	70-133302

2U Units offer an excellent combination of technical competence and aesthetic design. Equipment can be housed in a standard 2U envelope and benefit from a stacking facility as standard. There are no visible fixings so your product can be secure and visually clean. The main assembly screws are hidden discretely beneath clip-in mouldings, which may be removed for internal access. Supplied assembled.

CONTENTS OF KIT

- 1 top cover
- 1 bottom cover
- 2 side panels (vented/non-vented)
- 4 corner extrusions (internal)
- 4 corner extrusions (external)
- 4 feet mouldings
- 2 tilt feet
- 4 cover mouldings
- 1 set of fixings
- 4 vertical feet (vertical case)

MATERIAL SPECIFICATION

- Cover and side panels : 0.9mm CR4 mild steel zinc and clear passivated
- Corner extrusions : Aluminium extrusion
- Plastic Mouldings : ABS UL94 - VO RAL 7035 light grey or RAL 7016 anthracite
- Fixings : M4 x 16 LG CSK (DIN 7500) M4 x 6 LG - Ch HD (DIN 84)
- Paint : RAL 7035 light grey epoxy powder coat covers and side panels or RAL 7016 anthracite epoxy powder coat covers and side panels

2U BASIC CASES

A basic case is supplied as standard. This can be fitted with standard front and rear panels to provide a basic low EMC packaging solution. When choosing an upgrade path, simply select the relevant accessories to achieve a higher level of EMC screening. IP sealing or both. To achieve levels of EMC or IP protection front and rear panels must be fitted to the basic case, see pages 9 & 10 for details. Units are supplied assembled.

EMC PROTECTION

To achieve higher level of EMC screening an EMC conversion kit should be ordered. see page 11 for details. This is achieved using copper or tinned copper contact strips. These can be clipped into preselected positions according to the level of shielding required. An interior front and rear frame ensures contact to the top and bottom cover

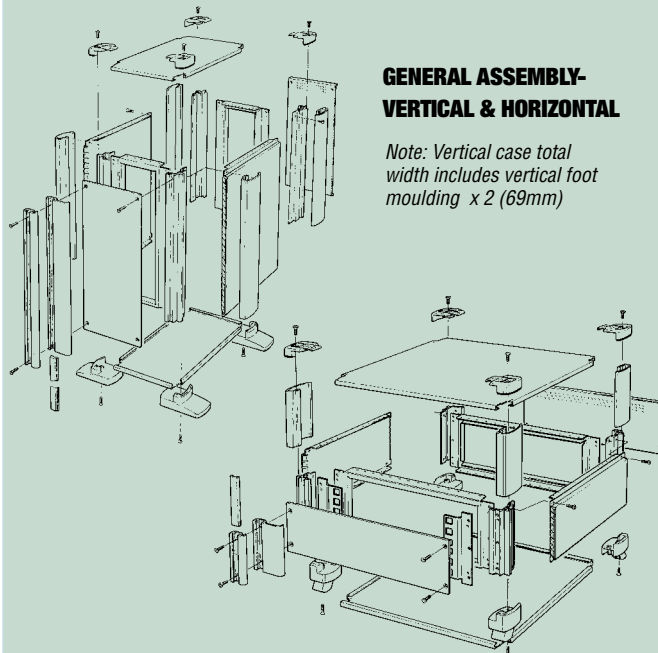
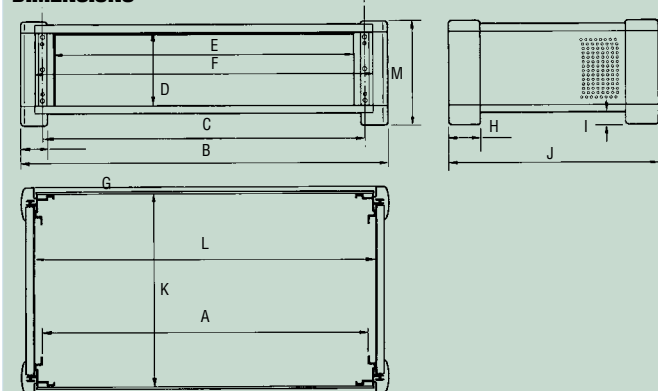
IP SEALING

IP sealing is achieved by inclusion of PVC/nitrile seals (top and bottom covers) and rubber gaskets at the joins. In order to achieve IP55 it is necessary to order IP/EMC front and rear panels as accessories and an IP55 sealing kit see Page 11. Non-vented cases should be ordered to achieve IP55 sealing.



2U CASES

DIMENSIONS



GENERAL ASSEMBLY- VERTICAL & HORIZONTAL

Note: Vertical case total width includes vertical foot moulding x 2 (69mm)

RAL 7035 LIGHT GREY V=VERTICAL

Size	Width	A	B	C	D	E	F	G	H	I	J	K	L	M	Order Codes	
															Vented	Non-vented
2U	10.5"	298.80	342.80	295.30	91	268.36	311.80	30	40	16	260	241.60	313.72	128	70-133203	70-133103
2U	19"	514.80	558.80	511.30	91	484.36	527.82	30	40	16	300	281.60	529.72	128	70-133204	70-133104
2U	10.5" v	121.80	234.80	118.30	268.8	91.36	134.82	30	40	16	260	241.60	136.72	305.80	70-133205	70-133107

RAL 7016 ANTHRACITE V=VERTICAL

Size	Width	A	B	C	D	E	F	G	H	I	J	K	L	M	Order Codes	
															Vented	Non-vented
2U	10.5"	298.80	342.80	295.30	46.55	268.36	311.80	30	40	16	260	241.60	313.72	83.55	70-133403	70-133303
2U	19"	514.80	558.80	511.30	46.55	484.36	527.82	30	40	16	300	281.60	529.72	83.55	70-133404	70-133304
2U	10.5" v	121.80	234.80	118.30	268.8	91.36	134.82	30	40	16	260	241.60	136.72	305.80	70-133405	70-133307

3U VEROTEC CASES

These 3U units offer an excellent combination of technical competence and aesthetic design. Equipment can be housed in a standard 3U envelope and benefit from a stacking facility as standard. There are no visible fixings so your product can be secure and visually clean. The main assembly screws are hidden discretely beneath clip-in mouldings, which may be removed for internal access. Supplied assembled.

CONTENTS OF KIT

- 1 top cover
- 1 bottom cover
- 2 side panels (vented/non-vented)
- 4 corner extrusions (internal)
- 4 corner extrusions (external)
- 4 feet mouldings
- 2 tilt feet
- 4 cover mouldings
- 1 set of fixings
- 4 vertical feet (vertical case)

MATERIAL SPECIFICATION

- Cover and side panels : 0.9mm CR4 mild steel zinc and clear passivated
- Corner extrusions : Aluminium extrusion
- Plastic Mouldings : ABS UL94 - VO RAL 7035 light grey or RAL 7016 anthracite
- Fixings : M4 x 16 LG CSK (DIN 7500) M4 x 6 LG - Ch HD (DIN 84)
- Paint : RAL 7035 light grey epoxy powder coat covers and side panels or RAL 7016 anthracite epoxy powder coat covers and side panels

3U BASIC CASES

A basic case is supplied as standard. This can be fitted with standard front and rear panels to provide a basic low EMC packaging solution. When choosing an upgrade path, simply select the relevant accessories to achieve a higher level of EMC screening. IP sealing or both. To achieve levels of EMC or IP protection front and rear panels must be fitted to the basic case, see pages 9 & 10 for details. Units are supplied assembled.

EMC PROTECTION

To achieve higher level of EMC screening an EMC conversion kit should be ordered. see page 11 for details. This is achieved using copper or tinned copper contact strips. These can be clipped into preselected positions according to the level of shielding required. An interior front and rear frame ensures contact to the top and bottom cover

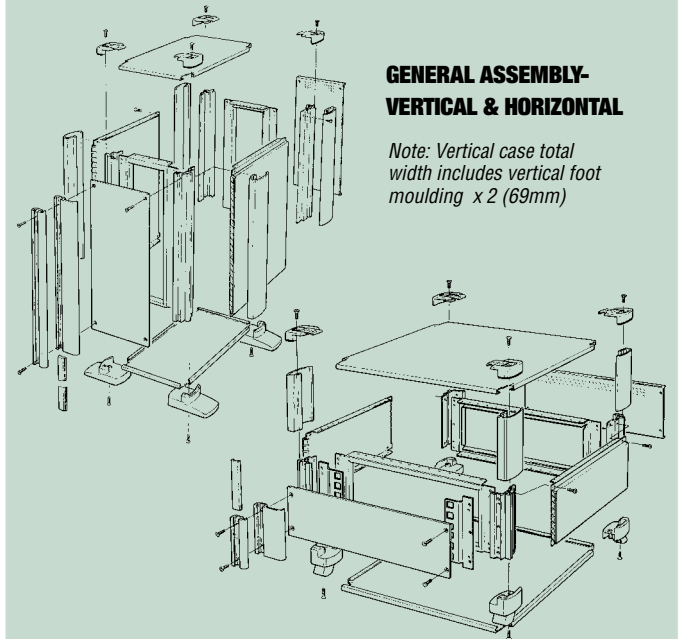
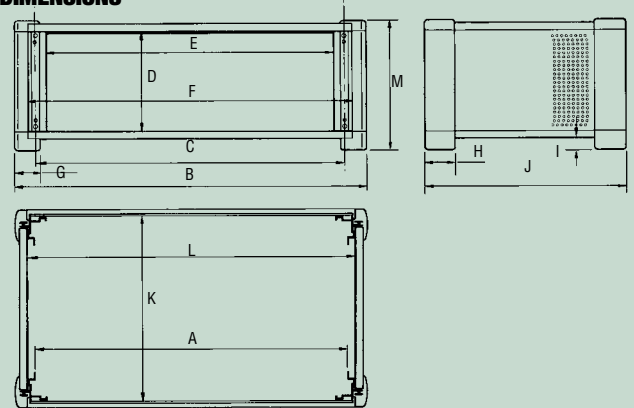
IP SEALING

IP sealing is achieved by inclusion of PVC/nitrile seals (top and bottom covers) and rubber gaskets at the joints. In order to achieve IP55 it is necessary to order IP/EMC front and rear panels as accessories and an IP55 sealing kit see Page 11. Non-vented cases should be ordered to achieve IP55 sealing.



3U CASES

DIMENSIONS



GENERAL ASSEMBLY- VERTICAL & HORIZONTAL

Note: Vertical case total width includes vertical foot moulding x 2 (69mm)

RAL 7035 LIGHT GREY V=VERTICAL

Size	Width	A	B	C	D	E	F	G	H	I	J	K	L	M	Order Codes	
															Vented	Non-vented
3U	10.5"	298.80	342.80	295.30	135.36	268.36	311.82	30	40	16	300	281.60	313.72	172.45	70-133209	70-133105
3U	19"	514.80	558.80	511.30	135.36	484.36	527.82	30	40	16	400	381.60	529.72	172.45	70-133210	70-133106
3U	19" v	166.30	279.30	162.85	483.70	135.86	179.32	30	40	16	300	281.60	181.22	521.8	70-133206	70-133108

RAL 7016 ANTHRACITE V=VERTICAL

Size	Width	A	B	C	D	E	F	G	H	I	J	K	L	M	Order Codes	
															Vented	Non-vented
3U	10.5"	298.80	342.80	295.30	135.36	268.36	311.82	30	40	16	300	281.60	313.72	172.45	70-133409	70-133305
3U	19"	514.80	558.80	511.30	135.36	484.36	527.82	30	40	16	400	381.60	529.72	172.45	70-133410	70-133306
3U	19" v	166.30	279.30	162.85	483.70	135.86	179.32	30	40	16	300	281.60	181.22	521.8	70-133406	70-133308

CD/DVD VEROTEC CASES

These units have been designed specifically to accommodate an array of data storage media. Any drive type in 5.25" format may be stacked in a tower to a maximum of 9 drives in the full height unit, and a maximum of 4 drives in the half height unit. Unused drive apertures can be blanked and offers an expansion. There are no screws visible so the unit offers security and aesthetics. Supplied assembled.

CONTENTS OF KIT

- 1 top cover
- 1 bottom cover (non-vented)
- 2 side covers (vented)
- 4 corner extrusions (internal)
- 4 corner extrusions (external)
- 4 cover mouldings
- 4 vertical feet
- 1 set of fixings

MATERIAL SPECIFICATION

Cover and side panels : 0.9mm CR4 mild steel zinc and clear passivated

Corner extrusions : Aluminium extrusion

Plastic Mouldings : ABS UL94 - VO RAL 7035 light grey or RAL 7016 anthracite

Fixings : M4 x 16 LG CSK (DIN 7500) M4 x 6 LG - Ch HD (DIN 84)

Paint : RAL 7035 light grey epoxy powder coat covers and side panels or RAL 7016 anthracite epoxy powder coat covers and side panels

CD/DVD CASES

VEROTEC CD/DVD cases are supplied in a basic format offering a low EMC solution. If preferred, they can be upgraded to offer equal levels of attention using a EMC kit with EMC front and rear panels and the addition of accessories such as the transparent front facia.

The CD/DVD VEROTEC case offers a very aesthetic product with excellent technical performance.

EMC PROTECTION

To achieve higher level of EMC screening an EMC conversion kit should be ordered. see page 11 for details. This is achieved using copper or tinned copper contact strips. These can be clipped into preselected positions according to the level of shielding required. An interior front and rear frame ensures contact to the top and bottom cover

IP SEALING

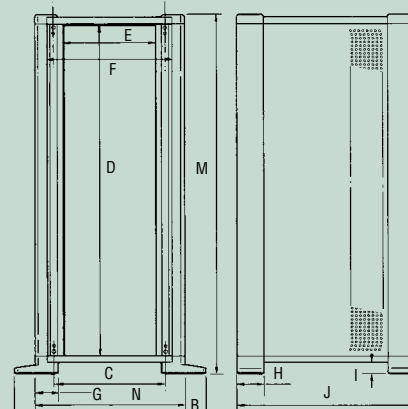
IP sealing is achieved by inclusion of PVC/nitrile seals (top and bottom covers) and rubber gaskets at the joins.

IP55 sealing kits for drive covers are available by custom order only.

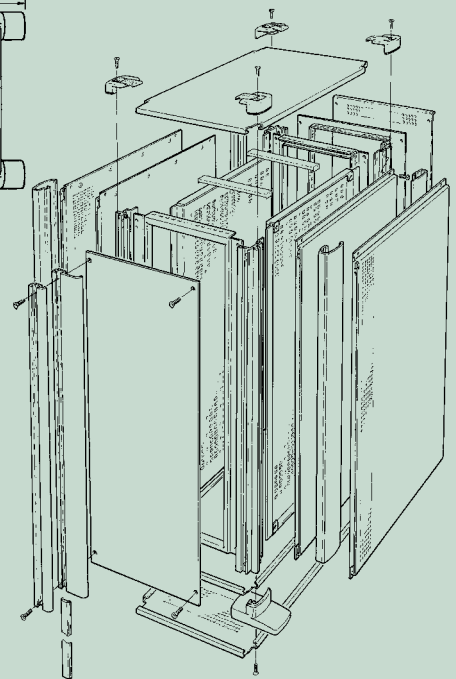


MEDIA TOWER

DIMENSIONS



GENERAL ASSEMBLY - CD/DVD VERSION



RAL 7035 LIGHT GREY

Size	Width	A	B	C	D	E	F	G	H	I	J	K	L	M	N	Order Codes	
																Vented	Non-vented
Media	10.5"	177.10	290.10	173.60	268.80	146.66	190.12	30	40	16	400	381.60	192.02	305.80	221.10	70-133207	70-133109
Media	19"	177.10	290.10	173.60	483.70	146.66	190.12	30	40	16	400	381.60	192.02	521.80	221.10	70-133208	70-133110

RAL 7016 ANTHRACITE

Size	Width	A	B	C	D	E	F	G	H	I	J	K	L	M	N	Order Codes	
																Vented	Non-vented
Media	10.5"	177.10	290.10	173.60	268.80	146.66	190.12	30	40	16	400	381.60	192.02	305.80	221.10	70-133407	70-133309
Media	19"	177.10	290.10	173.60	483.70	146.66	190.12	30	40	16	400	381.60	192.02	521.80	221.10	70-133408	70-133310

EURO INNER FRAME

This inner frame arrangement will allow double eurocard pcbs to be fitted directly to the half width cases.

Using snap in guides attached to the inner frame, pcbs can be mounted horizontally on a 2HP (2x5.08mm) pitch within the height of each of the half width cases.

CONTENTS OF KIT

- 2 side plates
- 1 set fixings
- 1 set of spacers

MATERIAL SPECIFICATION

Side plate : 0.9mm Galvatite

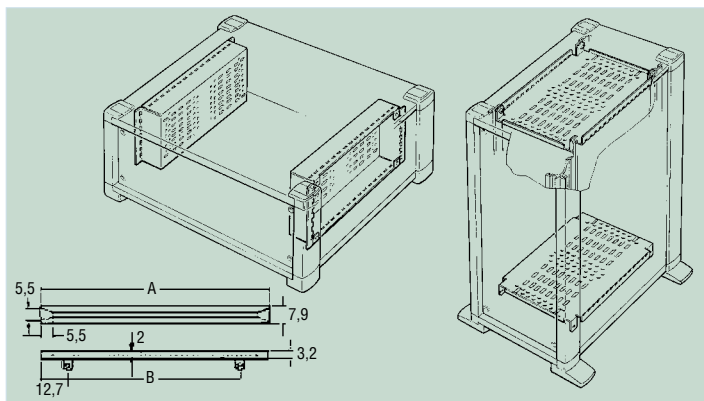
Description	Order Codes
1U	70-258509
2U	70-258511
3U	70-258513
2U vertical	70-258519
3U vertical	70-258520

CARD GUIDES

A	B	Order Codes
101.6	76.2	29-0122
139.7	76.2	29-0124
177.8	154.4	29-0126



EURO INNER FRAME



19" PANEL MOUNTS AND METRIC INNER FRAME

This inner frame may be used in conjunction with the adjustable 19" mounting angles, to facilitate standard 19" equipment mounting, in full and half width cases.

When used in half width cases, metric cards may be plugged in directly.

CONTENTS OF KIT

- 2 side plates
- 2 19" mounting angles
- 1 set of fixings
- 1 set of spacers

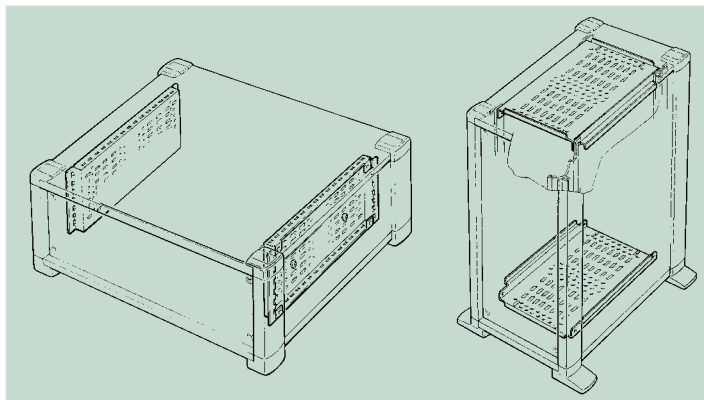
MATERIAL SPECIFICATION

Side plate : 0.9mm Galvatite
 Fixings : 0.9mm Galvatite

Type	Depth	Order Codes
1U	260	70-258498
1U	300	70-258499
2U	260	70-258500
2U	300	70-258501
3U	300	70-258502
3U	400	70-258503
2U vertical	260	70-258516
3U vertical	300	70-258517



PANEL MOUNTS



VEROTEC CASE Front Panels and Trims

SELECTING FRONT PANELS

There is a choice of front panels suit low EMC, IP, high EMC VEROTEC cases.

PLAIN FRONT PANELS

These are anodised aluminium front panels which offer an aesthetic facia for component mounting and silk screening.

EMC/IP FRONT PANELS

This is a two part construction, consisting of an aluminium panel with an interior panel attached. This gives an aesthetic appearance and good conduction inside the case.

CONTENTS OF KIT

1 front panel (plain or EMC/IP)
4 fixing screws

Please Note: vertical versions of vented and EMC/IP rear panels are shown in the order code table below marked with a (v).

MATERIAL SPECIFICATION

Front panel : 2.5mm 5251 - H26 anodised aluminium
Backing plate : 0.9mm 5251 - H12 anodised aluminium

Type	Width	C	D	Order Codes	
				Plain	EMC/IP
1U	10.5"	311.20	46.05	70-258409	70-258386
1U	19"	527.20	46.05	70-258410	70-258387
2U	10.5"	311.20	90.50	70-258411	70-258388
2U	19"	527.20	90.50	70-258412	70-258389
3U	10.5"	311.20	134.95	70-258413	70-258390
3U	19"	527.20	134.95	70-258414	70-258391
2U	10.5" (v)	134.40	268.40	70-258415	70-258392
3U	19" (v)	178.85	493.30	70-258416	70-258393
CD/DVD	10.5" (v)	189.70	268.40	70-258417	70-258394
CD/DVD	19" (v)	189.70	493.30	70-258418	70-258395

FRONT PANEL TRIMS

These can be added in order to preserve a clean frontal appearance. The addition of front trims conceals either the 19" panel mounts or the corner screw fixings. This gives both aesthetics and security for equipment mounted in VEROTEC cases.

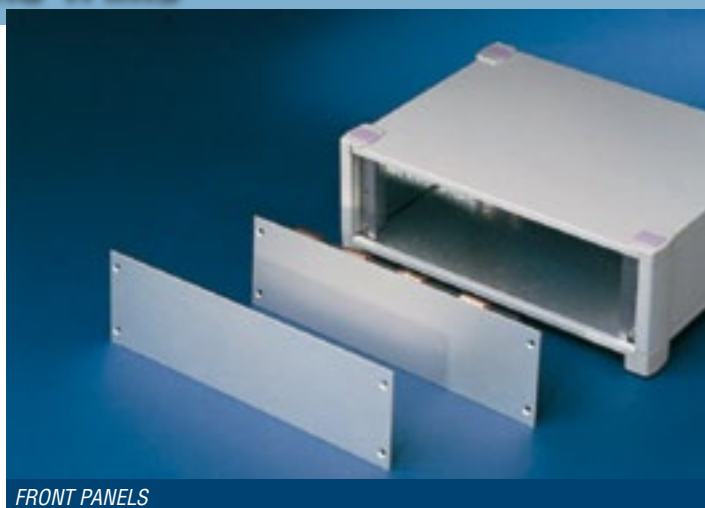
CONTENTS OF KIT

1 pair of trims (Type 1 or Type 2)
1 pair of cover extrusions
1 set of fixings

MATERIAL SPECIFICATION

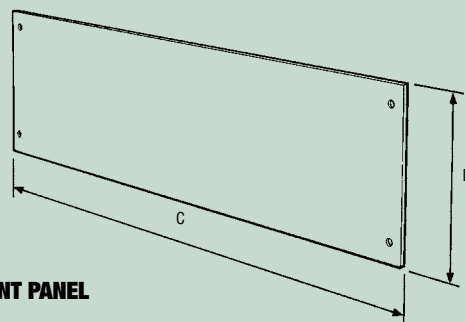
Aluminium extrusion 6063-T6

Type	Height	Order Codes	Order Codes	Order Codes	Order Codes
		Cover trims Anthracite RAL 7016	Cover trims Light grey RAL 7035	19" cover trims Anthracite RAL 7016	19" cover trims Light grey RAL 7035
1U		70-132201	70-132501	70-132301	70-132401
2U		70-132202	70-132502	70-132302	70-132402
3U		70-132203	70-132503	70-132303	70-132403
CD/DVD	10.5" (v)	70-132204	70-132504	-	-
CD/DVD	19" (v)	70-132205	70-132505	-	-

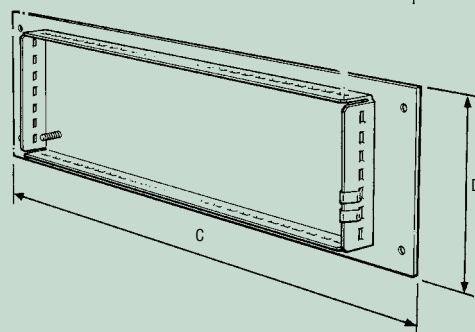


FRONT PANELS

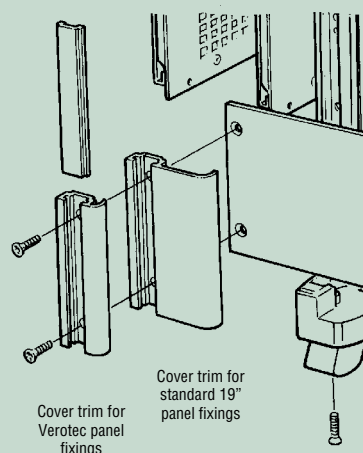
PLAIN FRONT PANEL



EMC/IP FRONT PANEL



FRONT PANEL TRIMS



SELECTING REAR PANELS

There is a choice of rear panels available for the VEROTEC case range according to the level of ventilation, EMC or IP required.

VENTETED REAR PANELS

These are complete with an EMC vent pattern for convectional cooling. These panels do Not provide contact to the case.

EMC/IP REAR PANELS

These should be used in conjunction with EMC/IP cases. Both IP sealing and EMC are achieved by the same panel and this can be achieved simultaneously.

CONTENTS OF KIT

- 1 rear panel (vented or EMC/IP)
- 4 fixing screws

Please Note: vertical versions of vented and EMC/IP rear panels are shown in the order code table below marked with a (v).

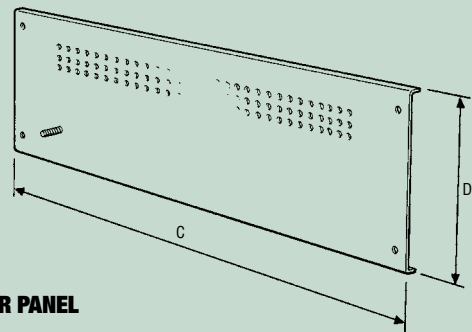
MATERIAL SPECIFICATION

Rear panel 0.9mm zintec steel.

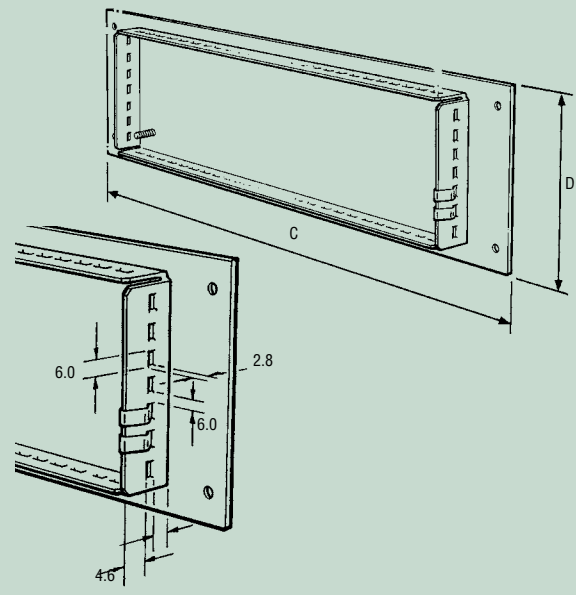


REAR PANELS

VENTED REAR PANEL



EMC/IP REAR PANEL



7.6

Type	Width	C	D	EMC/IP rear panel		Standard rear panel	
				Order Codes	Order Codes	Order Codes	Order Codes
				Anthracite RAL 7016	Light grey RAL 7035	Anthracite RAL 7016	Light grey RAL 7035
1U	10.5"	311.20	46.05	70-258470	70-258441	70-134601	70-258429
1U	19"	527.20	46.05	70-258471	70-258442	70-134602	70-258430
2U	10.5"	311.20	90.50	70-258472	70-258443	70-134603	70-258431
2U	19"	527.20	90.50	70-258473	70-258444	70-134604	70-258432
3U	10.5"	311.20	134.95	70-258474	70-258445	70-134605	70-258433
3U	19"	527.20	134.95	70-258475	70-258446	70-134606	70-258434
2U	10.5" (v)	134.40	268.40	70-258476	70-258447	70-134607	70-258435
3U	19" (v)	178.85	493.30	70-258477	70-258448	70-134608	70-258436
CD/DVD	10.5" (v)	189.70	268.40	70-258478	70-258449	70-134609	70-258437
CD/DVD	19" (v)	189.70	493.30	70-258479	70-258451	70-134610	70-258438

IP55 SEALING KIT

Prevention of the ingress of dust and moisture in an enclosure is particularly relevant in an industrial environment. Typically IP55 will offer this type of protection. This is achieved by the addition of an IP sealing kit to the basic case with front and rear panels.

Note: CD/DVD IP kits available by custom order.

CONTENTS OF KIT

1 set of gaskets and seals

MATERIAL SPECIFICATION

0.9mm Galvatite
PVC/Nitrile
Rubber corner gaskets

Please Note: vertical versions of seal kits are shown in the order code table below marked with a (v).

Type	Width	Order Codes
1U	10.5"	70-134801
1U	19"	70-134802
2U	10.5"	70-134803
2U	19"	70-134804
3U	10.5"	70-134805
3U	19"	70-134806
2U	10.5" (v)	70-134807
3U	19" (v)	70-134808

EMC SEALING KIT

These items allow the conversion of a basic VEROTEC case into an EMC unit, giving a typical attenuation of 50 dB at 100 MHz (unit tested was a 2U half width with 50% coverage contact fingers). The attenuation figures may increased or decreased according to the number of clip-in contact fingers added. EMC contact strips are also available separately in standard Beryllium Copper and tinned versions.

CONTENTS OF KIT

1 set of contact strips

MATERIAL SPECIFICATION

0.9mm Galvatite
Beryllium or tinned
Beryllium copper fingers

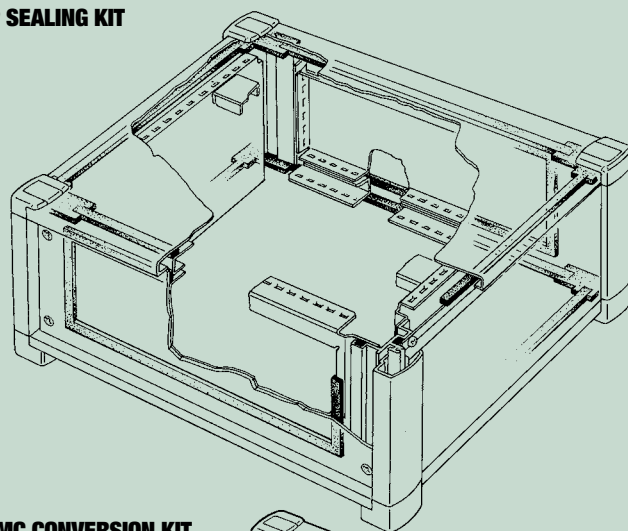
Type	Width	Order Codes	
		Tinned copper	Copper
1U	10.5"	70-136101	70-134701
1U	19"	70-136102	70-134702
2U	10.5"	70-136103	70-134703
2U	19"	70-136104	70-134704
3U	10.5"	70-136105	70-134705
3U	19"	70-136106	70-134706
2U	10.5" (v)	70-136107	70-134707
3U	19" (v)	70-136108	70-134708
CD/DVD	10.5" (v)	70-136109	70-134709
CD/DVD	19" (v)	70-136110	70-134710

Description	Size	Pack	Order Codes
Tinned fingers	405mm	1	70-259620
Copper fingers	405mm	1	70-259616

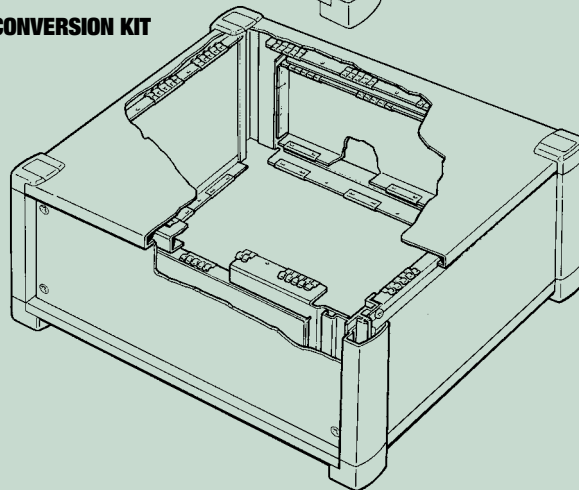


IP55 SEALING

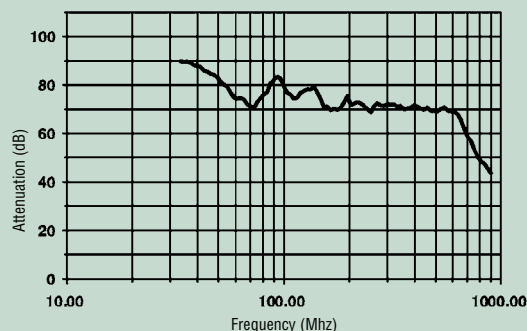
IP SEALING KIT



EMC CONVERSION KIT



VEROTEC Shielding Effectiveness 50% BeCu Coverage - E Field



CHASSIS TRAYS AND SUPPORTS

Chassis supports are available to provide additional support for 19" chassis or cardframes within the enclosure. Each kit comprises two runners and all necessary fixings.

A range of chassis trays are available for mounting processor boards and components.

CONTENTS OF KIT

- 2 supports plus fixings
- 1 tray plus fixings

MATERIAL SPECIFICATION

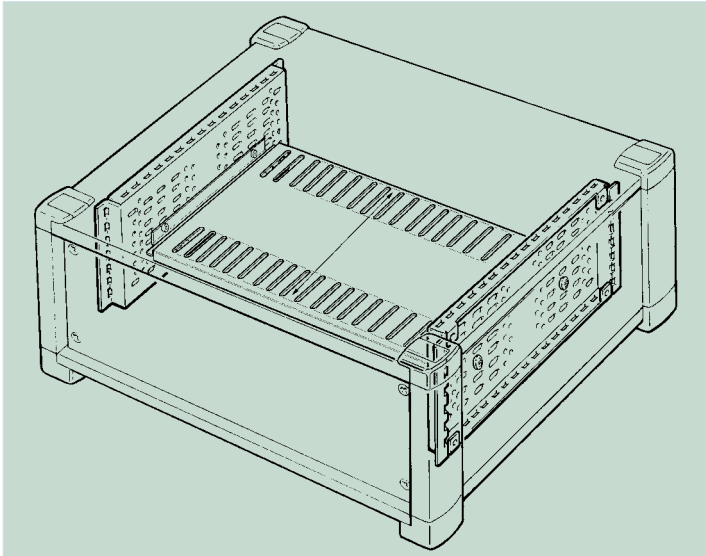
- Supports : 0.9mm Galvatite
- Tray : 0.9mm Galvatite

Description	Width	Order Codes
200 Tray	10.5"	70-134501
260 Tray	19"	70-134502
300 Tray	10.5"	70-134503
300 Tray	19"	70-134504
400 Tray	19"	70-134505

Description	Width	Order Codes
Adjustable supports	260mm	70-134506
Adjustable supports	300mm	70-134507
Adjustable supports	400mm	70-134508



CHASSIS TRAYS AND SUPPORTS



REAR CABLE TIDY

The rear cable tidy allows power cables to be conveniently and tidily stored. It is supplied as a kit of two mounts which can be attached directly to the rear panels. The choice of location on the rear panel is function of other component locations and the length of cable to be stored.

MATERIAL SPECIFICATION

RAL 7035 ABS or RAL 7016 ABS

Colour	Order code
Anthracite RAL 7016	70-258833
Light Grey RAL 7035	70-258834



REAR CABLE TIDY

TRANSPARENT FRONT DOORS

VEROTEC cases can be fitted with these stylish and attractive transparent doors, giving both security and aesthetics.

2U and 3U doors are horizontally hinged, making them ideal for both horizontal and vertical versions. CD/DVD doors are vertically hinged giving an approximate opening angle of 110°

CONTENTS OF KIT

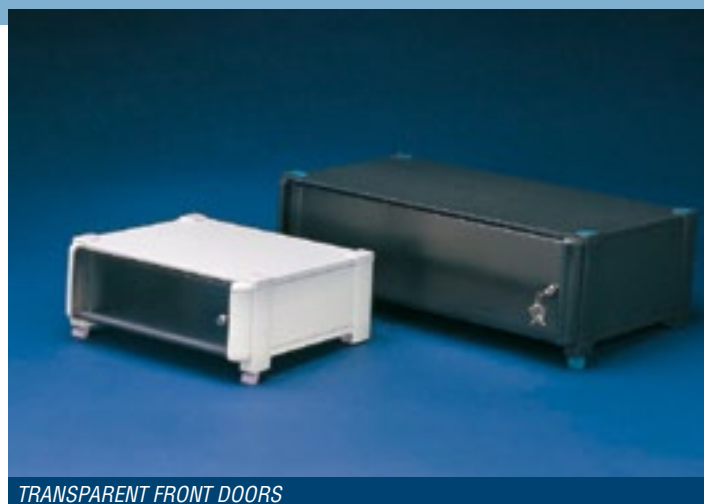
1 transparent door
1 fixing kit

MATERIAL SPECIFICATION

Mouldings : ABS UL94 V0
Extrusion : 6062 - T6
Door : Acrylic 3mm

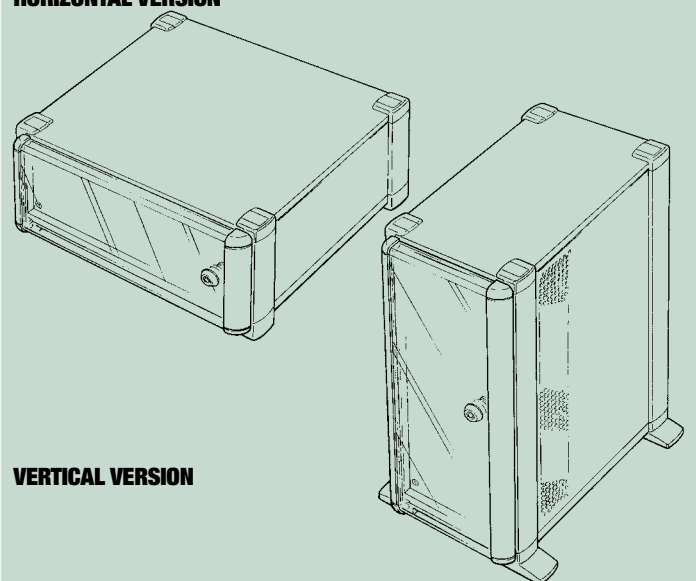
V = Vertical cases

Type	Width	Order Codes	
		RAL 7016	RAL 7035
2U	10.5"	70-135401	70-134401
2U	19"	70-135402	70-134402
3U	10.5"	70-135403	70-134403
3U	19"	70-135404	70-134404
2U	10.5" (v)	70-135405	70-134405
3U	19" (v)	70-135406	70-134406
CD/DVD	10.5" (v)	70-135407	70-134407
CD/DVD	19" (v)	70-135408	70-134408



TRANSPARENT FRONT DOORS

HORIZONTAL VERSION



VERTICAL VERSION

SIDE CARRY HANDLES

These handles offer a comfortable and ergonomic method of carrying the VEROTEC case. These handles are both light weight and strong.

CONTENTS OF KIT

2 carry handles
2 sets sealing plugs
2 sets of fixings

MATERIAL SPECIFICATION

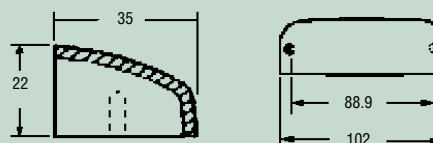
Painted die-cast aluminium

Description	Order Codes	
1 pair of handles	RAL 7016	RAL 7035
	70-134902	70-134901



SIDE CARRY HANDLES

DIMENSIONS



5.25 DRIVE SUPPORTS

These side plates are to be used in conjunction with the CD/DVD tower units. These allow drives to be stacked in an array of 4 in the half height tower and 9 in the full height tower. If an increased array density is required then do not use the front panel kit, and mount directly one above each other (12&6 drives).

When an aperture in the front panel is not required, then a blanking plate is provided to maintain a good visual appearance.

CONTENTS OF KIT

- 2 side plates
- 1 set fixings

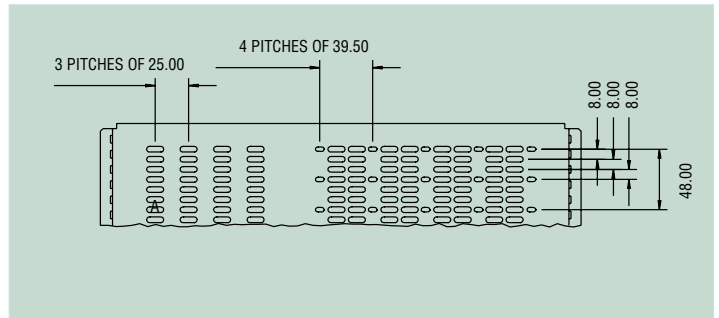
MATERIAL SPECIFICATION

- Side plate : 0.9mm Galvatite
- Fixings : M4 x 6 LG CH HD

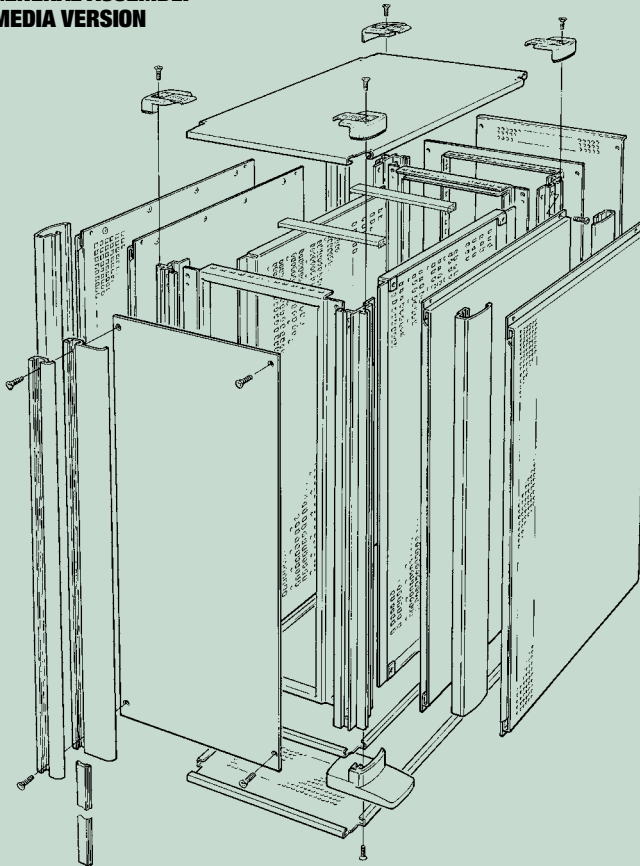


DRIVE SUPPORTS

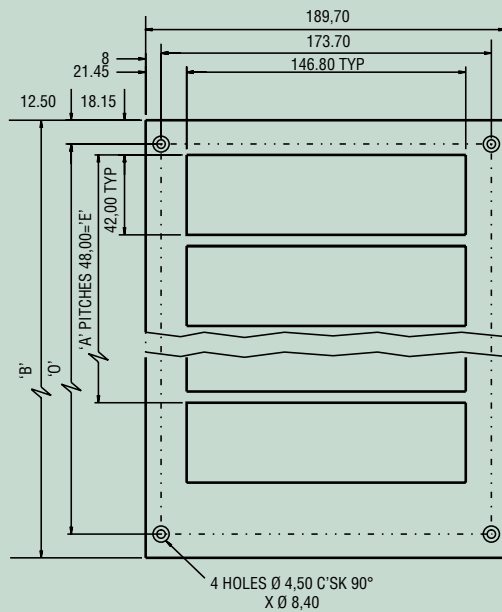
Type	Description	Order Codes
Half height	Drive supports	70-258514
Full height	Drive supports	70-258515
Half height	Front panel	70-259334
Full height	Front panel	70-258335
CD/DVD	Blanking plate RAL 7032	174-10204



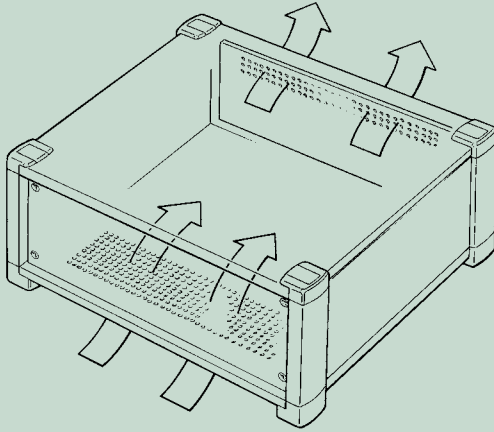
GENERAL ASSEMBLY - MEDIA VERSION



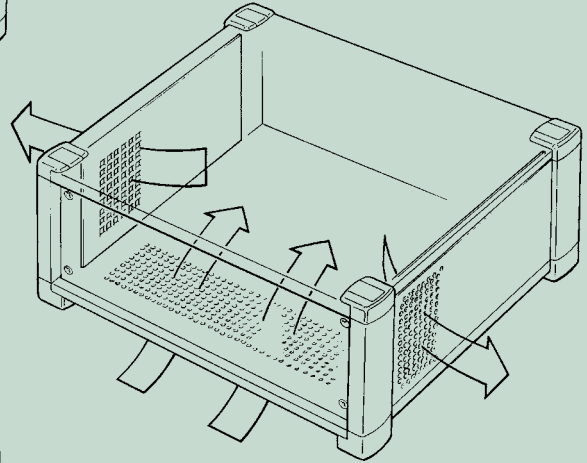
FRONT PANEL DIMENSIONS



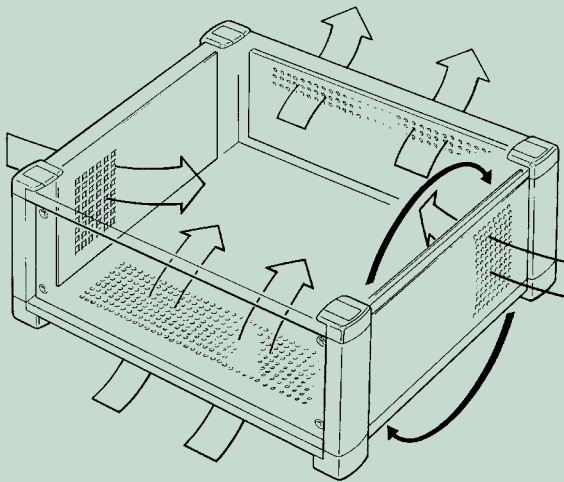
BOTTOM VENT / REAR VENT



BOTTOM VENT / SIDE REAR



BOTTOM VENT / REAR VENT



TOWER SIDE AND BASE VENT

