

Headlines

- **Welcome / Latest News**
- **Diplomat Case**
- **Recent Projects: Specialist Cable Assemblies**

Welcome to the July issue of Verotec's news-letter TecNews. We hope that you will find the information useful. This month we have included articles on Verotec's Diplomat Case and details of a recent project for specialist cable assemblies. Look out for more product information and data in future issues.

Latest News

Verotec the specialist Electronics enclosures company, has just updated its rack case range. This ever popular product from Verotec now includes a range of EMC Rack Cases called "Veroshield". It is available in 1, 2 & 3U heights with an aluminium front panel and a galvanised finish body for conductivity. If you would like to know more now then contact Verotec's sales team on 02380 246900 or e-mail: sales@verotec.co.uk

Handbook 2010/11

The new Verotec Handbook is now available, containing detailed information on all of Verotec's product ranges.

- Please click on the link below to arrange your personal copy:



[Handbook Request Click here](#)

Product Feature: Diplomat Case

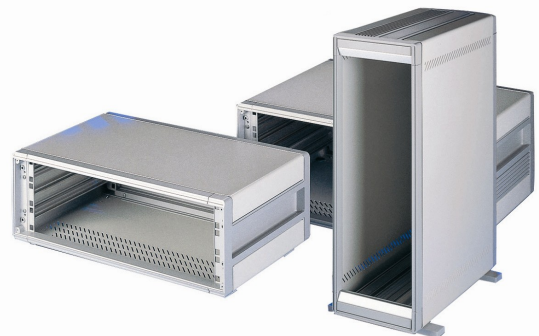
The Diplomat range of metal enclosures is recognised as a world leading product in its field. The cases are designed around industry standards and are intended to be stylish lightweight and strong. The Diplomat design provides an inherent level of RFI protection due to its all metal construction and can be made available as desktop cases, caseframes and towers. The aesthetically pleasing design is equally "at home" in workshop, laboratory or office applications.

The Diplomat range provides a highly accurate and precise framework by using die castings, extruded sections and tooled cover designs for subracks to be supported and protected.

Using tests derived from the Mil Standard 285 Diplomat provided an impressive level of RFI screening in its standard form. For users requiring a greater level of screening Diplomat cases are available that offer full EMC compatibility and are also compatible with the full range of accessories

The Diplomat enclosure range has a numerous options and features which ensures that it meets and fulfils many requirements:

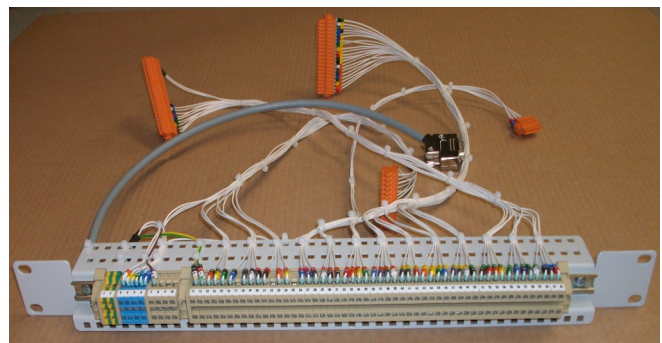
- Desktop enclosures with a range of sizes from 3U x 10.5 inch x 322mm deep up to 9U x 19 inch x 622mm deep and optional ventilation plinths, front and rear panels, chassis, handles, trims, earth kits and an EMC option.
- Computer Towers with 12U usable height and two depths.
- Diplomat caseframes available in 3U & 6U heights and with widths of 42, 60 & 84 hp and depths up to 564mm



Recent Projects: Specialist Cable Assemblies

Verotec has recently completed a project for one of its larger customers. The requirement was to produce a connection panel to allow equipment to interface with external sensors.

The application only allowed for 1U of usable height for the interface but required 120 physical connections. By working closely with the customer's engineers Verotec were able to design a 1U



wired panel which met the size constraints and provided all the connections required.

For more information contact Verotec's sales team on: 02380 246900