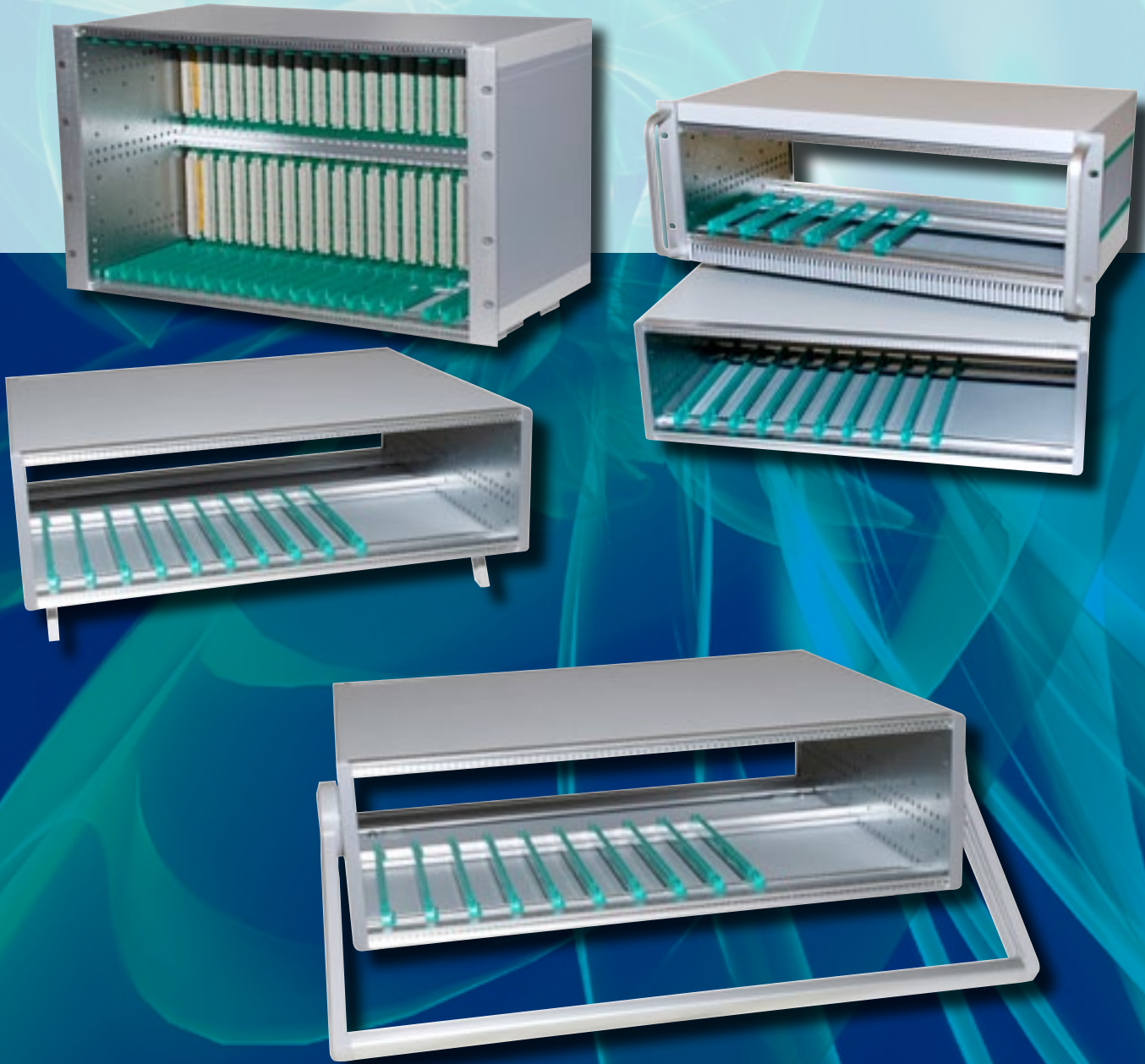
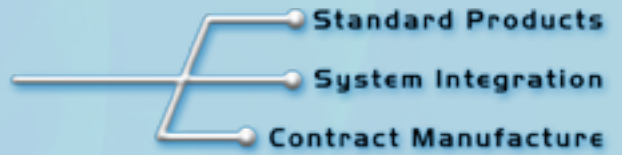


# VEROTEC

Electronics Packaging



**Eurotec Caseframes**

**EUROTEC CASEFRAMES**

The Eurotec Caseframe is designed for applications that require the mounting / housing of Eurocard-style electronics (cards or modules) in either a 19" rackmount, desktop or portable formfactor. A step up from a standard subrack, its design requires no external housing, and offers optional EMC protection along with the integration of cooling fans and power supplies in a self contained, attractive unit. Top and bottom covers are easily removed for system building and servicing requirements.

**FEATURES:**

- Desk top, 19" Rack mounting or portable
- EMC Upgrade
- Easy access for servicing
- Attractive appearance
- 3U and 6U Eurocard form factors
- 3 overall height variants for each size
- 3 overall depth variations for each size
- 2 card connection variants
- Thermal management
- Chassis system compatibility
- KM6-II compatible

**ORDERING**

The Caseframe is supplied in assembled form. It should be selected by size (ie. height and depth), style and, similar to KM6-II subracks, by rear extrusion type (either backplane mounting or DIN 41612 connector mounting). 240mm deep versions are assembled to suit 160mm cards / modules whilst 360mm & 480mm versions are assembled to suit 220mm cards / modules.

**ACCESSORIES**

The use of standard subrack extrusions means that the Eurotec Caseframe can accept most accessories from our standard KM6-II subrack range, including card guides, front panels, divider kits, plug-in units, and emc screening kits. The Caseframes are also compatible with our versatile chassis system which permits the mounting of additional components – eg power supplies, mechanical assemblies and cable management. These items are not listed here – details can be found in the KM6-II subracks and KM6-II Front Panels sections.

A number of specific Eurotec Caseframe accessories are also available including front trims, handles, tilt feet, fan trays and rear panels, allowing the requirements of many applications to be met with standard off-the shelf parts.

**ELECTRICAL CONTINUITY**

Careful attention to the masking of painted areas, together with the inherent conductivity of the basic subrack, provides excellent electrical conductivity of the complete assembly. Testing was carried out according to B57002/IEC 60950.

**COLOURS**

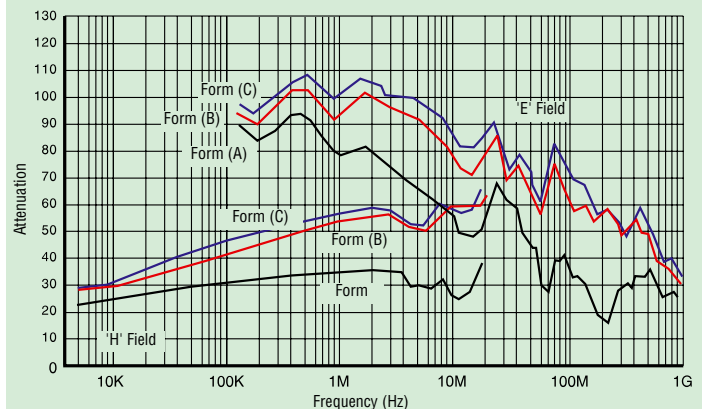
Two paint colours are used as standard: Light Grey RAL 7035 and Window Grey RAL 7040. Finish is epoxy powder coat.



Eurotec Caseframes

**EurotecCaseframes CASEFRAME RF SHIELDING**

3U/4U x 84HP x 480mm (0%, 50%, 100% BeCu)

**EMC PERFORMANCE**

Tests on a 3U/4U Eurotec caseframe were carried out in our screened facility according to a standard procedure. The procedure was based on MIL-STD 285 using automated frequency control and data recording. Results are shown below for units tested three forms:

- In basic form, with flat anodised front and rear 84HP panels;
- With 50% BeCu RFI fingers at front and rear interfaces and 84HP EMC panels;
- As b), but with 100% BeCu fingers.

The overall EMC performance of the Eurotec Caseframe can be improved in a number of different ways, depending on which size you have. Beryllium copper, self-adhesive, RFI finger strips can be fitted to all units and should be placed at the front and rear interfaces. They are supplied in single lengths of 381mm and consist of 60 fingers. They should be spaced evenly along the required surfaces with more fingers producing better performance.

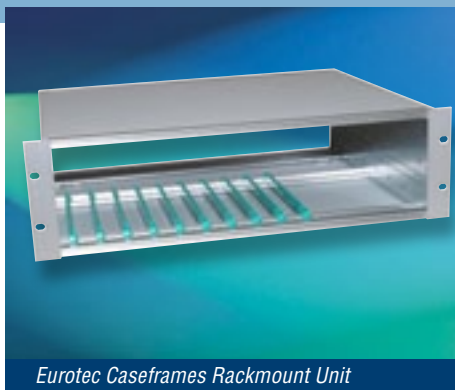
The 3U/4U, 3U/5U, 6U/7U & 6U/8U Eurotec Caseframes can also be fitted with full EMC screening kits to obtain a high level of screening. The kits include a plain or ventilated top and bottom cover which can cover either the board area or the whole subrack area, depending on whether a full-width backplane is being used and what your specific requirements are. Finally, 3U/6U x 84HP EMC closing panels are available in fixed or hinged versions for fitting to the front and rear of the subrack area. For full details of the EMC screening kits and closing panels, please refer to the "EMC Conversion" section of the "KM6-II Subracks and Accessories" section.



3U/4U &amp; 6U Rackmount Eurotec Caseframes



Eurotec Caseframes Desktop Unit



Eurotec Caseframes Rackmount Unit



Eurotec Caseframes Portable Unit

## CASEFRAME STYLES

The Eurotec Caseframe is available in either a desktop, 19" rackmount or portable style to suit a number of different application environments.

**Desktop** - with front trims giving a neat appearance and with fold down feet fitted at the front and complimentary non-slip feet at the rear. Included is a kit of 4 x 10mm round adhesive rubber bumper stops that can be used as an alternative to the feet. These should be positioned in the depressions in the bottom cover.

**Rack Mount** - with mounting angles at the front to provide fixings within a 19" rack system to IEC 297.

**Portable** - with a stylish, locking, swing handle for carrying and providing a front support (limited to 30Kg load in any position).

## CASEFRAME SIZES

The Eurotec Caseframe is available in 3 depths of 240, 360 & 480mm internally. Standard eurocard heights of 3U & 6U are catered for, each with 3 variations available, providing a range of 6 heights. (Refer to page 7 for pictorial views)

**3U & 6U** Caseframes are true height enclosures with close fitting unventilated top & bottom covers.

**3U/4U & 6U/7U** Caseframes are fitted with ½U high covers ventilated on one edge which can be mounted front or rear (standard frames will be assembled bottom - front vented & top - rear vented)

**3U/5U & 6U/8U** Caseframes are fitted with ½U high ventilated top cover and a 1½U high bottom fan tray cover closed at the front with a ventilated cover plate

The ½U high covers are reversible. Standard caseframes will be assembled bottom - front vented & top - rear vented. The units with ½U and 1½U covers are EMC upgradeable without the addition of subrack EMC covers but to a lesser degree of shielding due to the vent slot sizes.

## CASEFRAME CONNECTION STYLES

Eurotec Caseframes are available in 2 card connection styles.

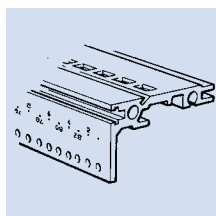
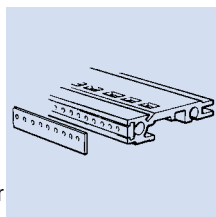
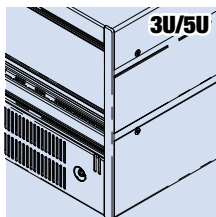
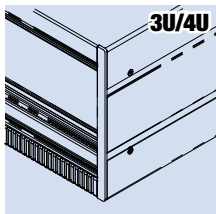
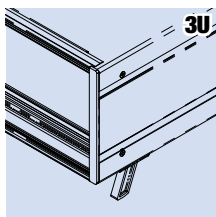
### Backplane mounting

With extruded rails top & bottom to mount a backplane (motherboard).

The 6U high has the facility to mount a centre tie bar. Tapped strips are fitted front x 2, backplane x 1 and rear x 1 at top & bottom positions

### DIN 41612 connector mounting

With extruded rails top & bottom (& centre on 6U) for direct mounting of connectors in the DIN 41612 series. Tapped strips are fitted front x 2, and rear x 1 at top & bottom position



## BACKPLANE MOUNTING UNITS:

Height	Depth	Desktop	19" Rack Mount	Portable
3u	240	738-4000630	738-4000670	738-4000710
	360	738-4000631	738-4000671	738-4000711
	480	738-4000632	738-4000672	738-4000712
3u/4u	240	738-4000633	738-4000673	738-4000713
	360	738-4000634	738-4000674	738-4000714
	480	738-4000635	738-4000675	738-4000715
3u/5u	240	738-4000636	738-4000676	738-4000716
	360	738-4000637	738-4000677	738-4000717
	480	738-4000638	738-4000678	738-4000718
6u	240	738-4000639	738-4000679	738-4000719
	360	738-4000640	738-4000680	738-4000720
	480	738-4000641	738-4000681	738-4000721
6u/7u	240	738-4000642	738-4000682	738-4000722
	360	738-4000643	738-4000683	738-4000723
	480	738-4000644	738-4000684	738-4000724
6u/8u	240	738-4000645	738-4000685	738-4000725
	360	738-4000646	738-4000686	738-4000726
	480	738-4000647	738-4000687	738-4000727

## DIN 41612 UNITS:

Height	Depth	Desktop	19" Rack Mount	Portable
3u	240	738-4000648	738-4000688	738-4000728
	360	738-4000649	738-4000689	738-4000729
	480	738-4000650	738-4000690	738-4000730
3u/4u	240	738-4000651	738-4000691	738-4000731
	360	738-4000652	738-4000692	738-4000732
	480	738-4000653	738-4000693	738-4000733
3u/5u	240	738-4000654	738-4000694	738-4000734
	360	738-4000655	738-4000695	738-4000735
	480	738-4000656	738-4000696	738-4000736
6u	240	738-4000657	738-4000697	738-4000737
	360	738-4000658	738-4000698	738-4000738
	480	738-4000659	738-4000699	738-4000739
6u/7u	240	738-4000660	738-4000700	738-4000740
	360	738-4000661	738-4000701	738-4000741
	480	738-4000662	738-4000702	738-4000742
6u/8u	240	738-4000663	738-4000703	738-4000743
	360	738-4000664	738-4000704	738-4000744
	480	738-4000665	738-4000705	738-4000745

## EUROTEC CASEFRAME ACCESSORIES

A wide range of compatible KM6-II accessories can be found in the Subracks / Front Panel brochures / sections and include guides, front panels, modules and chassis system etc. In addition to these, the following specific accessories are also available ensuring the requirements of many applications can be met with standard off-the shelf parts

### DESKTOP CONVERSION

Standard Eurotec Caseframes are 84HP wide and the Rack Mounted Unit may be converted to a Desk Top unit by replacing the rack mounting angles with a set of front trims. Select by the overall height. Front Trims are supplied in Pairs

### 19" RACK MOUNT CONVERSION

Standard Eurotec Caseframes are 84HP wide and can be rack mounted by replacing the desktop trim angles with a set of rack mounting angles. Select by the overall height. Rack mounting angles are supplied in packs of two

### RACKMOUNT ANGLES WITH HANDLES

The Rack Mount angle / handle kit may be added to either the desktop or rackmount Eurotec caseframes, should this functionality be required. Select by the overall height and note that the kit replaces either the trim or rack angle currently fitted. Supplied as a pair.

### REAR PANELS – ALUMINIUM

The rear aperture permits the use of any standard IEC 297-3 panels, a selection of which can be found in the "KM6-II Front Panel" section of the brochure. Offered here are standard 3U and 6U x 84HP anodized aluminium panels complete with fixing screws

### VENTED REAR PANELS

The Eurotec Caseframes have dedicated, painted, ventilated rear panels to complement the unit in either 3U or 6U height. Panels are supplied with fixing screws.

### FAN REAR PANELS

The Eurotec Caseframes have dedicated, painted, fan rear panels punched to accept 3 x 80mm fans, to complement the unit in either 3U or 6U height. Panels are supplied with fixing screws.

### ORDERING INFORMATION

Description	Size	Order Code
Front Trim Kit Pack of 2	3U	738-4000758
	3U/4U	738-4000759
	3U/5U	738-4000760
	6U	738-4000761
	6U/7U	738-4000762
	6U/8U	738-4000763
Rack Mount kit Pack of 2	3U	738-4000764
	3U/4U	738-4000765
	3U/5U	738-4000766
	6U	738-4000767
	6U/7U	738-4000768
	6U/8U	738-4000769
Rack Mount Angle with Handle Kit Pack of 2	3U	738-4001070
	3U/4U	738-4001071
	3U/5U	738-4001072
	6U	738-4001073
	6U/7U	738-4001074
	6U/8U	738-4001075
Standard 84HP Aluminium Panel Panel + fixings	3U	957-236065
	6U	957-236073
Ventilated Rear Panel Panel + fixings	3U	738-4000770
	6U	738-4000771
Fan Rear Panel Panel + fixings	3U	738-4000772
	6U	738-4000773



Desktop conversion



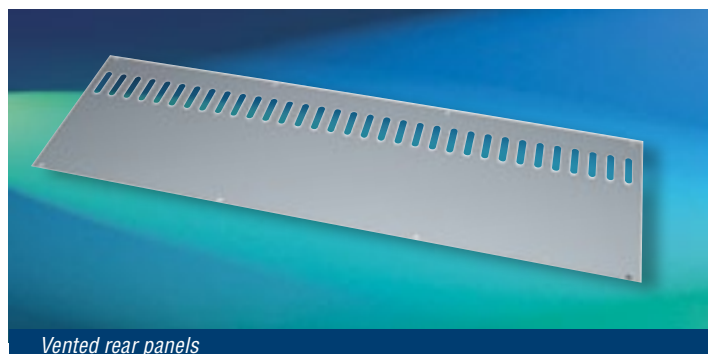
19" rack mount conversion



Rackmount angles with handles



Rear Panels – Aluminium



Vented rear panels



Fan rear panels

## EUROTEC CASEFRAME ACCESSORIES

A wide range of compatible KM6-II accessories can be found in the Subracks / Front Panel brochures / sections and include guides, front panels, modules and chassis system etc. In addition to these, the following specific accessories are also available ensuring the requirements of many applications can be met with standard off-the shelf parts

### DROP IN FAN TRAY

The bottom cover of the 3U/5U & 6U/8U versions, which is 1½U high, will accept a drop-in fan tray, which draws air through the ventilated front, fitted with an inlet filter retained by the outer front cover. The tray has three positions for 120mm fans and is available for 160mm & 220mm card depths. Unused fan positions can be filled with blanking plates. Contents of kit: 1 fan tray, filter, terminal block and fixings. (Refer to page 8 for pictorial view)  
Order separately: fans and wiring.

### TILT FOOT FACILITY

The Eurotec Casframes have a modified bottom panel which enables the user to fit these feet without any need to drill the panel. It is thus possible to provide a tilt facility at low cost. The feet are fitted by means of self-tapping screws, but it should be noted that if used with a rack mounting Caseframe they will intrude into the 'U' below. Supplied as a set of four feet, with fixings. (Note: Tilt feet are fitted as standard on the desktop version)

Material: UL94-V0 rated ABS

Colour: grey —

### 1½U BLIND FRONT COVER

The 3U/5U and 6U/8U Eurotec Caseframes are fitted with a filter element and vented front panel as standard in the bottom 1.5U of the unit. Should this air-intake not be required, the vented panel may be replaced with a blind front cover. (Refer to page 8 for pictorial view)

### RUBBER FEET

The bottom cover of the Eurotec Caseframe contains 4 x depressions where a 10mm rubber adhesive bumper stop can be positioned, should the tilt feet not be required. Supplied as a set of 4. (Note: Supplied as standard on the desktop version)"

### HIGHLIGHT STRIPS

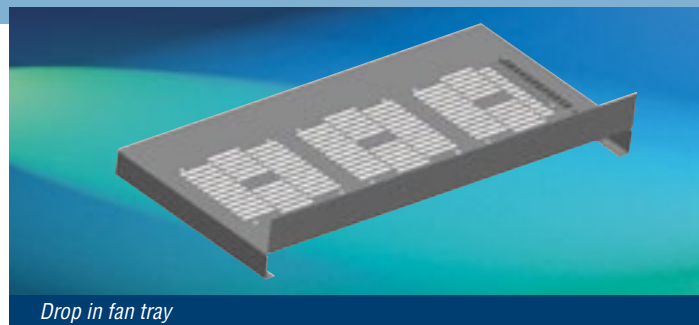
Self-adhesive, coloured strips are available to provide coloured highlights along the side of the Eurotec Caseframe. They are available in blue or green and are supplied singly in 1 metre lengths

### EMC SCREENING

Beryllium copper, self-adhesive, RFI finger strips can be fitted to all units and should be placed at the front and rear interfaces to improve EMC performance. They are supplied in single lengths of 381mm and consist of 60 fingers.

## ORDERING INFORMATION

Description	Size	Order Code
Drop-in Fan Tray Tray + accessories	160 Deep	738-4000774
	220 Deep	738-4000775
1.5U Blind Panel	3U/5U & 6U/8U	738-4000776
Tilt Foot Kit - Grey	All	50-54602
Rubber Feet (Pack 4)	All	50-4001069
Highlight Strips 1M length	Green	738-4001750
	Blue	738-4001751
BeCu RFI Finger Strip (381mm)	All	930-238243



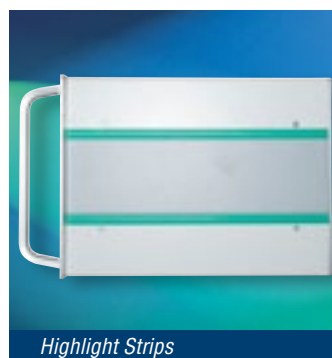
Drop in fan tray



Tilt foot facility



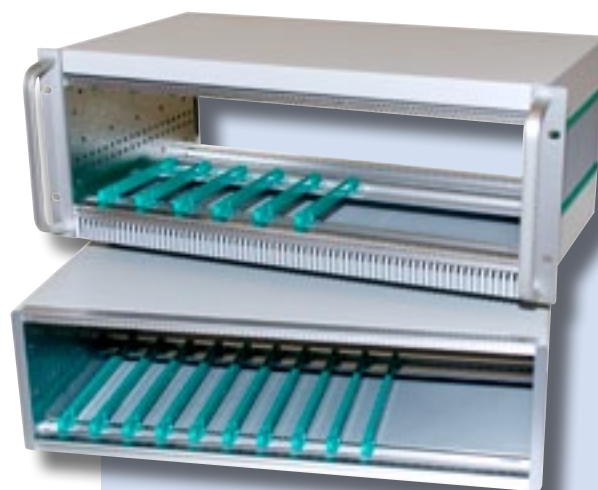
Rubber feet



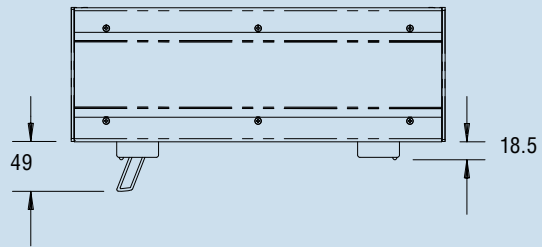
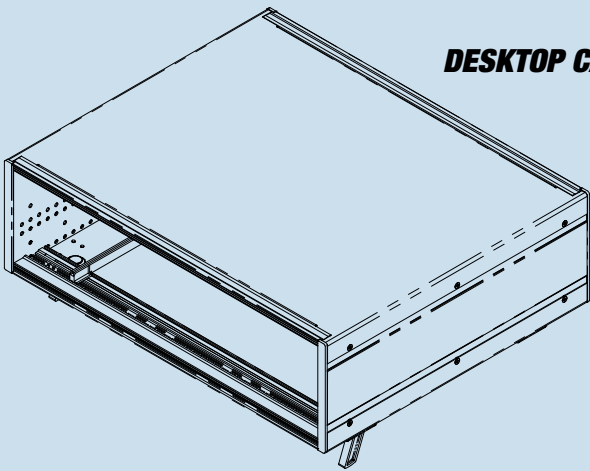
Highlight Strips



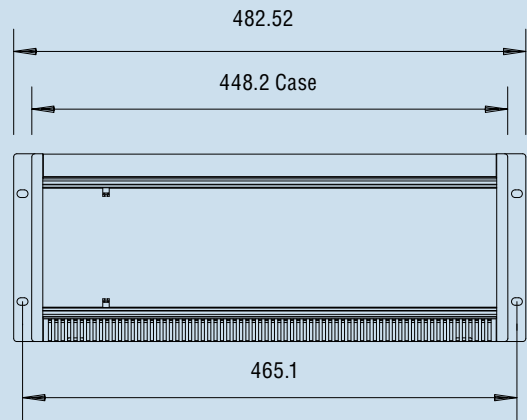
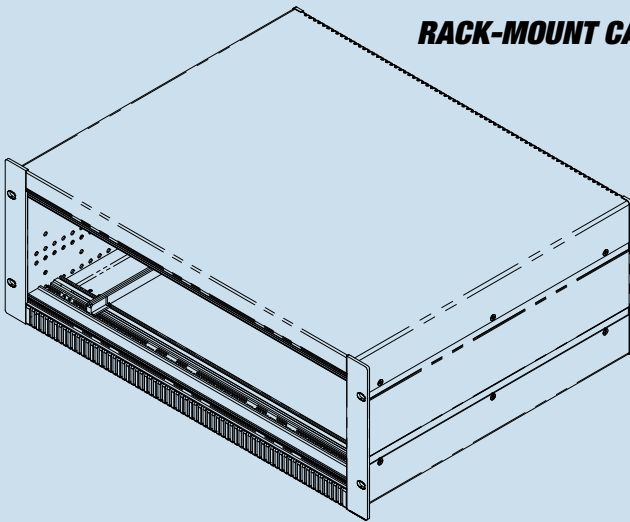
EMC screening



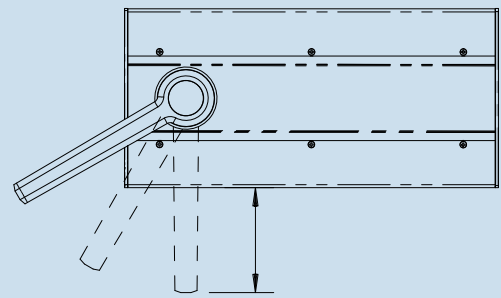
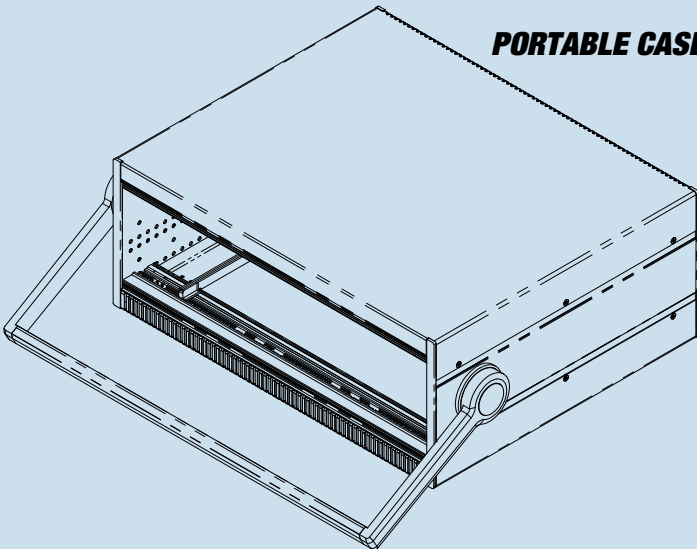
## DESKTOP CASE



## RACK-MOUNT CASE



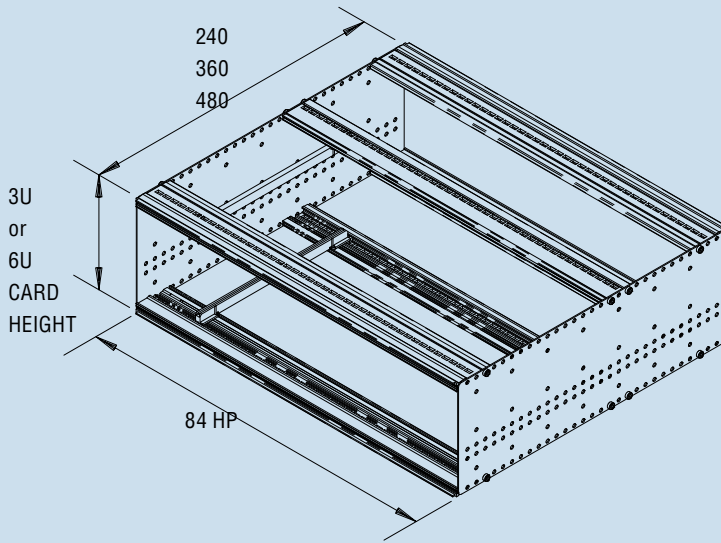
## PORTABLE CASE



- 126 - 3U
- 103.5 - 3U/4U
- 59 - 3U/5U
- 59 - 6U
- 37 - 6U/7U
- 42.5 - 6U/8U

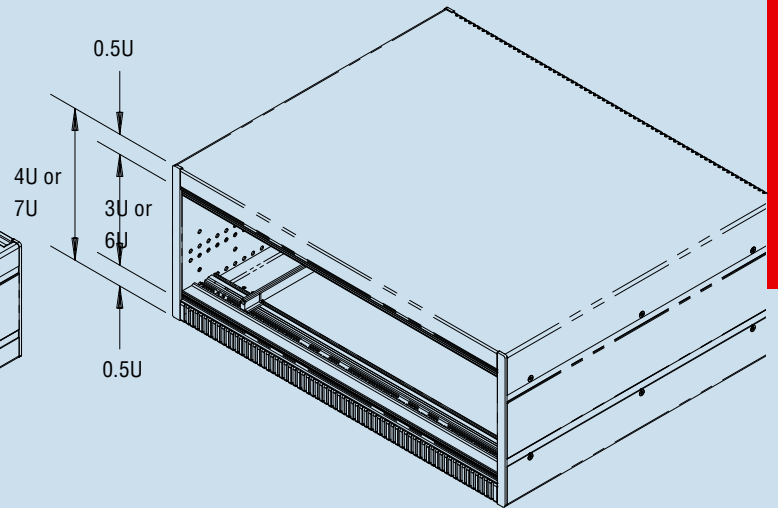
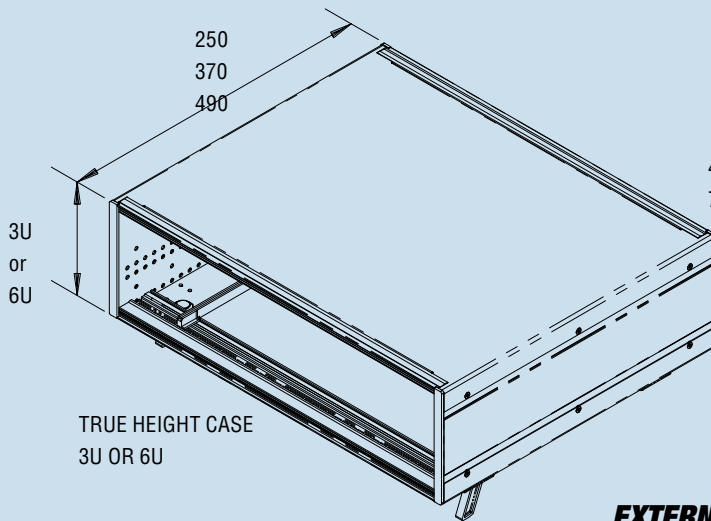
All dimensions in mm

## INTERNAL DEPTH

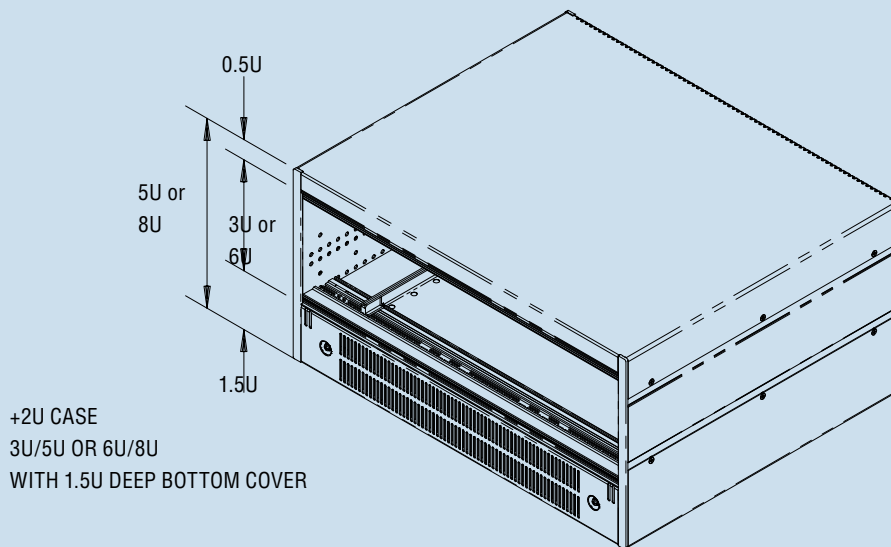


BACKPLANE TIE BARS  
(REQUIRE INSULATING or CONDUCTIVE SPACER)  
OR  
DIN41612 CONNECTOR MOUNTING TIE BARS (CENTRE TIE BAR  
FITTED ON 6U)

REAR TIE BARS FACTORY FITTED FOR 160 DEEP CARDS IN 240  
DEEP CASE AND 160 DEEP CARDS IN 360 & 480 DEEP CASE



## EXTERNAL DIMENSIONS

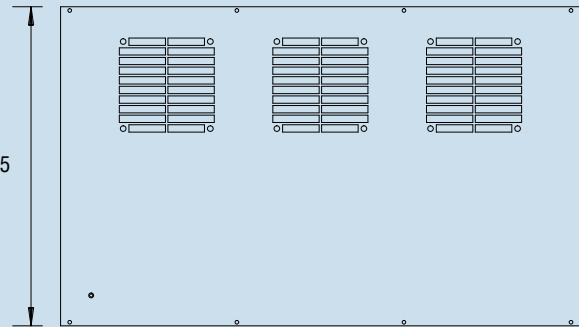
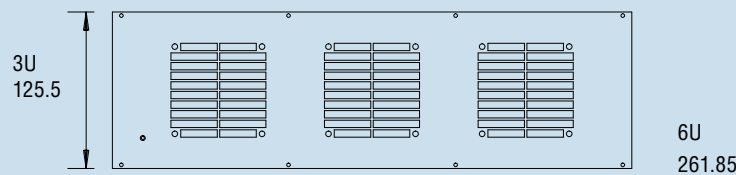
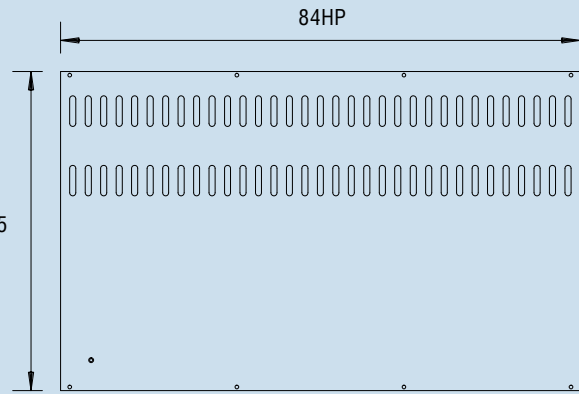
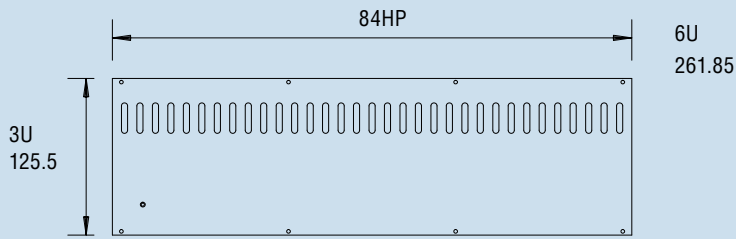


+1U CASE  
3U/4U OR 6U/7U  
VENT SLOTS MAY BE AT FRONT  
OR REAR

+2U CASE  
3U/5U OR 6U/8U  
WITH 1.5U DEEP BOTTOM COVER

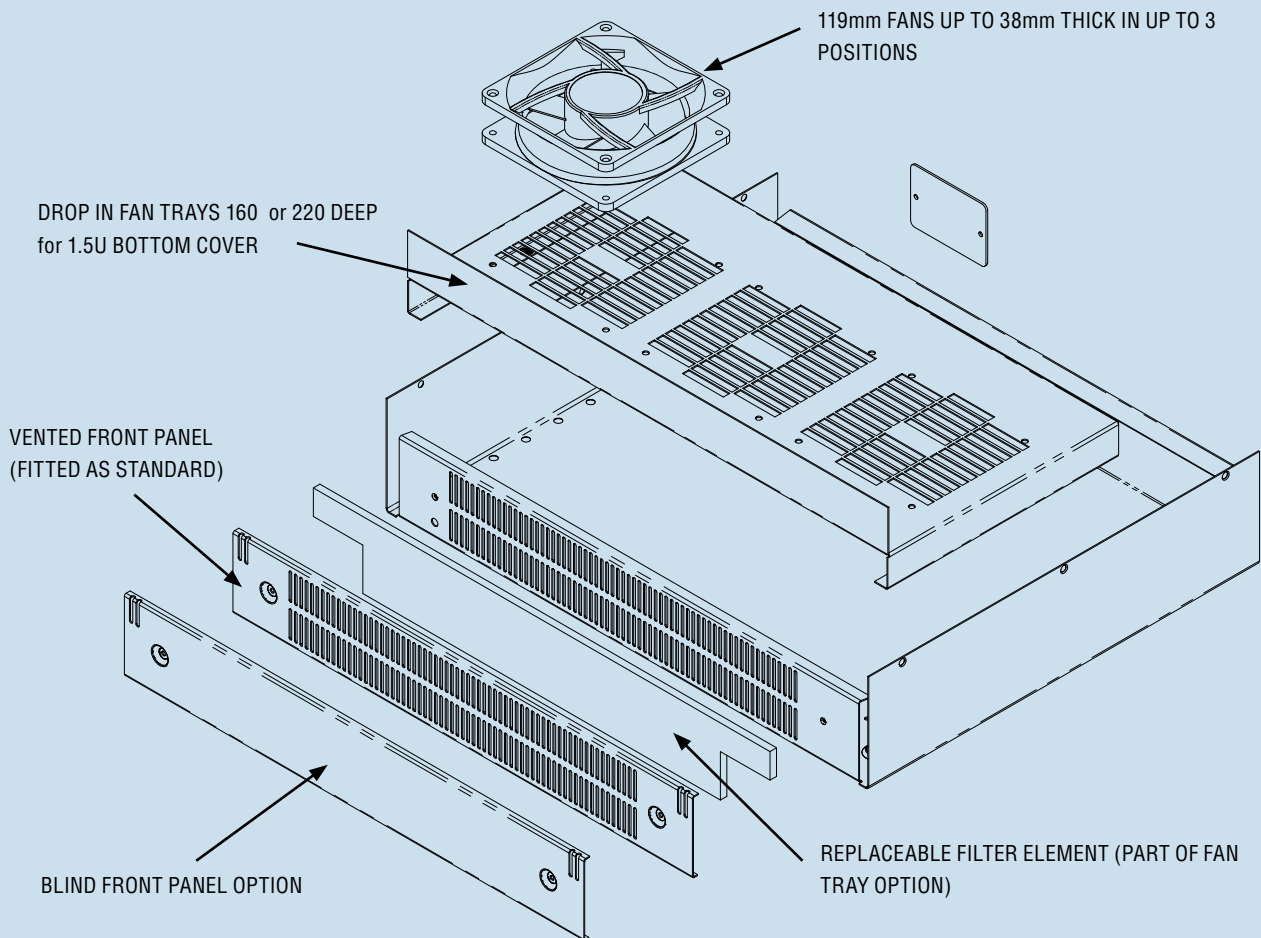
All dimensions in mm

VENTED PANELS  
1 or 2 ROWS OF SLOTS 25 x 5



FAN VENTED PANELS  
PUNCHED FOR 80mm FANS 3  
POSITIONS

3 Eurotec Caseframes



All dimensions in mm